

Checkmate Xi



Web Server based Standalone Access Controller.

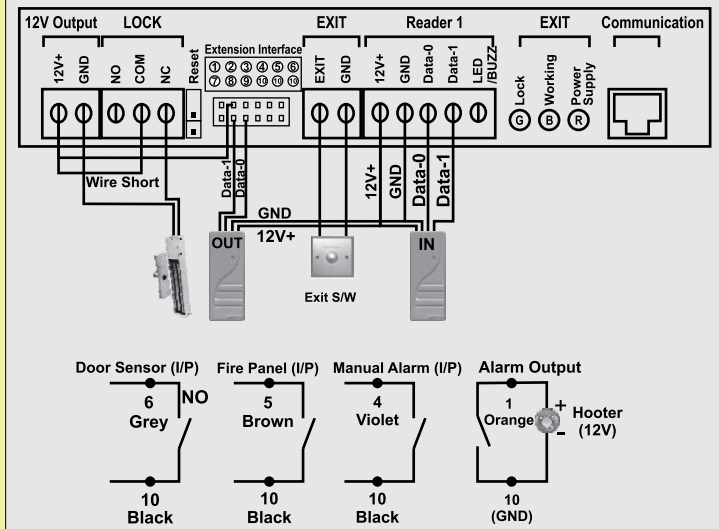


Checkmate Xi is a cost effective Web Server based single door access control System with built-in TCP/IP. Card Holder may be defined from any computer without the need of any software application. The system is in a metal casing and having built-in Power supply (12V 4A) inside. It can be interfaced to 2 Wiegand Readers to realize door entry or exit with anti pass back feature.

FEATURES

- Access controllers compatible with wiegand protocol like 26,34,37,
- Standard RS485 or TCP/IP Communication with multilevel lightning protection and surge protection
- Big Flash memory to keep data for 10 years if no power
- All of chips are industrial to work in any environment
- All field inputs have opto coupler protection
- 16 Time zones
- Supports Validity Date against each Card Holder
- Support free pass, door timer (DOTL alarm), timed alarm, fire alarm
- Support remote open or close door, anti pass back
- Support many kinds of event's & alarm output like invalid card, invalid Time, door alarm, or Door Open Too Long
- Access controllers include metal box, controller panel and 12V4A power Supply
- Support time attendance system
- Integration with IP camera to realize real time monitoring & video capture against the Card show event.

LINE DIAGRAM



TECHNICAL INFORMATION

- User** : 1000 users
- Event** : 25000
- Alarm Event** : 25000
- Communication** : RS485 or TCP/IP
- Communication Distance** : 1200 meters or 100 meters
- Card Reader Interface** : Wiegand Protocol
- Door Open Method** : Card, Double card, Software, freepass, push Button, door timer.
- Panel Dimension** : 135 x 105 x 22 mm
- Weight** : 150g
- Working Temperature** : upto 60 degree
- Humidity** : 10%--95% R.H
- Data Protection if no power supply** : 10 years

ORDERING INFORMATION

- Checkmate Xi** : Access & Elevator Controller
- MicroPROX** : Proximity Card Reader with Read Range upto 3"
- MiniProx/Prox Poin Plus** : HID Proximity Card Reader
- MicroSMART** : Contactless Smart Card Reader (Read Range upto 1")
- MIS Time Pro LITE** : Time Office MIS Report Generation Software suitable for Office(Single Shift Operation)
- COMCON** : RS232C to RS485 Converter
- ID Card** : (a) Proximity Card (b) Smart Card
- Door Lock** : (a)Door Strike (b)EM Lock (c)Tripod Turnstile
- Cable** : (a)Reader Cable (b) Communication cable(c) Lock Cable
- Accessories** : (a)Exit Switch (b) Door Sensor

Reliable

Comprehensive

8, Ho Chi Minh Sarani
12D, Harrington Mansions, Kolkata - 700 071 (India)

☎ : (91) (33) 2282 2270 Fax : (91) (33) 2282 2267

✉ : info@fortunaindia.com; 🌐 : www.fortunaindia.com