



## A Palette of Features :

- ❖ **Shift** : Upto 16 shift Times and flexible Individual Shift Allocation to each employee
- ❖ **Holidays** : Upto 30 Holiday Dates and 1 weekly-off definable with separate Holiday Card Holder Database
- ❖ **Mode of Operation** : Individual Mode of operation for Attendance such as ID or ID + PIN (useful for Access control)
- ❖ **Legacy** : User definable Block to read ID Number and Name from MIFARE Smart Card (ISO14443A) / CSN Number
- ❖ **Dates** : Definable Birthday for wishing Birthday & Validity Date to automatically deny Access after expiry date
- ❖ **Employee Masking** : Employee can be masked temporarily in case of suspension or loss of card
- ❖ **Message Display** : Global or Individual message display against card show, User definable Sign-on Message
- ❖ **In/Out Mode** : Programmable IN/OUT based on time of day and toggle the Mode using keyboard
- ❖ **Advanced File Management** : User Definable transaction file structure to suit any Legacy Software or dumping data to database tables
- ❖ **Scheduler** : Auto Scheduler to download data multiple times in a day or online Mode of operation
- ❖ **Connectivity** : WAN/WiFi/Bluetooth/Ethernet/RS232C/RS485/ZigBee(2.4 Ghz Radio Modem) connectivity option using suitable hardware
- ❖ **Extended Hardware** : MODEM interface for downloading data using telephone lines with Multi site support, EPABX Support

## Hardware Features :

- ❖ **CPU** : High Speed 16 bit microcontroller with Real time Clock and battery, Watch-dog-timer
- ❖ **Reader** : Built-in Reader of your choice and provision for additional Reader for Out / Exit, on Wiegand I/F
- ❖ **Communication Port** : Field configurable RS 232C / RS 485 / Ethernet / WiFi
- ❖ **Keyboard** : Built-in 16 key sealed Membrane keyboard for PIN & Function keys for parameter setting, Smart Card initialization etc.
- ❖ **Relay O/P** : Potential free contact available as Physical Access Control O/P with Lock Feedback and Request-to-Exit Switch I/P
- ❖ **Display** : 16 Character, 2 line Liquid Crystal Display(LCD) for displaying Real-time-clock, ID No/Emp. No, Name, Message
- ❖ **Audio** : Built-in Audio chip and speaker for playing 12 prefixed messages (e.g. Welcome, Happy B'day etc.) and a Buzzer
- ❖ **Auxiliary Port** : RS 232C port being brought out for interface to Printer, Larger Display Panel, Computer, Reader etc.
- ❖ **Card Holder** : Upto 3400 Valid Card Holder ID Table with Name, Birthday, Employee ID, Validity Date, PIN, Shift and Mode
- ❖ **Event Buffer** : Last 20,000 Records being saved as circular buffer in Battery backed- up RAM with Memory Dump feature
- ❖ **SMPS** : Universal 12V SMPS with 90V- 260V AC range and optional UPS with 2 hours battery back-up

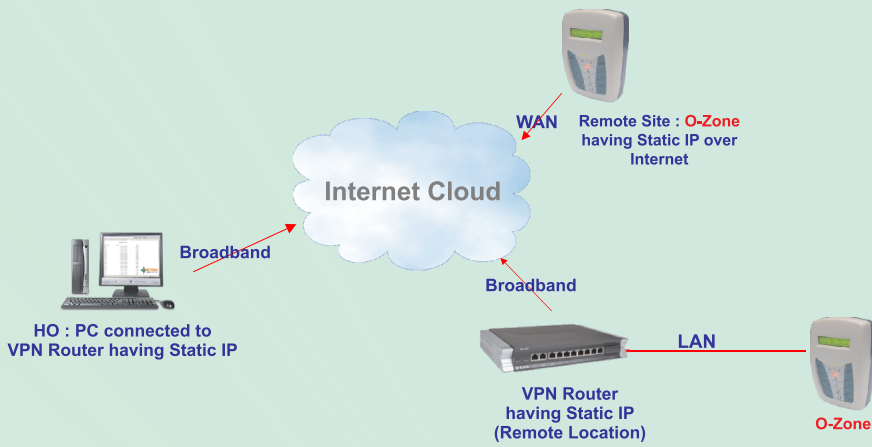


O-Zone is a sleek, trendy and rugged ABS molded Attendance & Access Control System designed for corporate offices. The terminal records "IN/OUT" time as well as breaks with a casual show of Contact less Card. It is designed to read MIFARE (ISO 14443 Type A) cards or EM compatible Proximity Cards. It can also be integrated with HID® Proximity or iClass(ISO 15693) Card Reader.

O-Zone can be connected to a door lock/turnstile which is opened only on Card Validation, deterring proxy punching and barring unwanted visitors. A request-to-Exit Switch or Card Reader for Exit may also be interfaced. It is provided with a suitable termination board for easy of connection & installation.

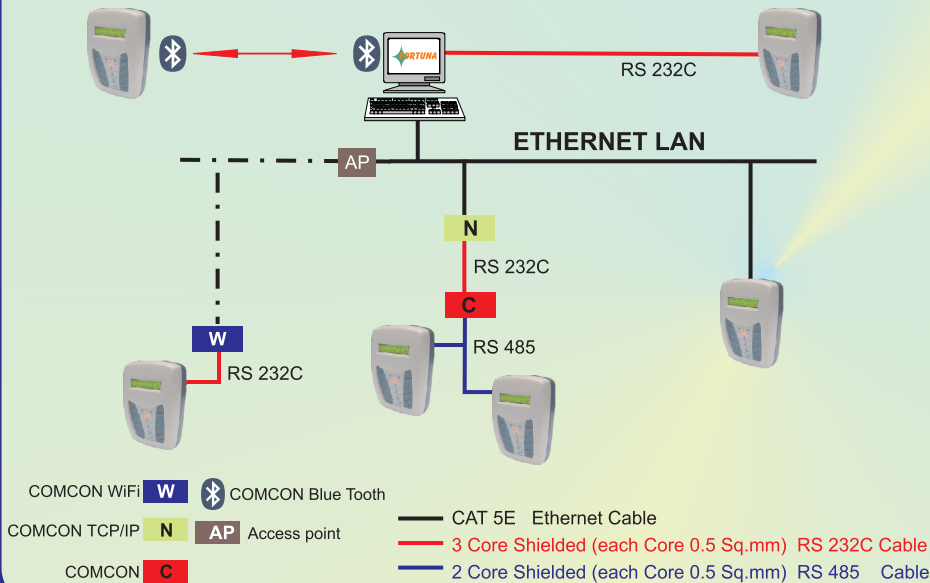
The data is downloaded in online / offline mode to a PC for Time Office related Reports and data required for payroll.

## Data Transfer using VPN / WAN Connectivity

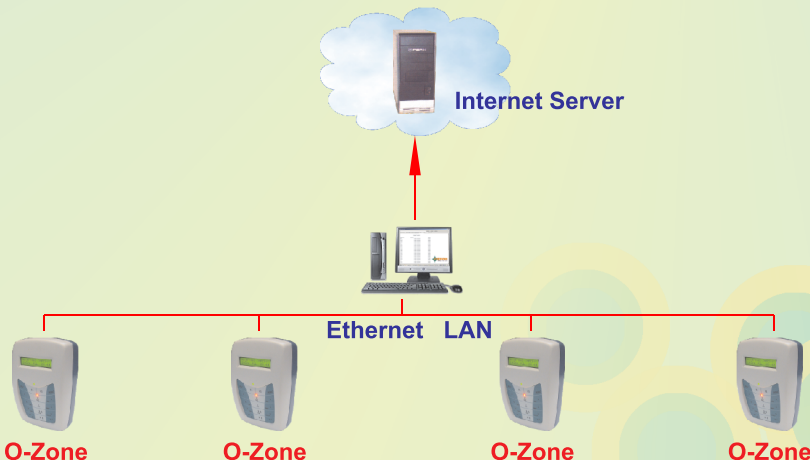


In this Connectivity Option, the Remote Location is having a VPN Router configured with a Static IP. The Attendance Terminal on the Remote Location will be connected to the Router thru Switch. The PC at HO is also connected to a similar Router configured with Static IP. VPN tunnel is established using Broadband on either side. COMPRO 2000 Client Application will be deployed at HO. The Raw transaction Data from the remote location will be captured by HO without any user intervention.

## Data Transfer over WiFi/LAN/Bluetooth/RS232C/RS485



## Data Transfer to Internet Server on Web



In this Connectivity Option, all the Attendance Terminals at installation Location will be connected on Local Ethernet LAN. A iCON Online Application will be deployed at one of the Computer at the Location, which will download the Attendance Data from Attendance Terminals (in online/Offline Mode) & will upload the data to Internet Server on Web.

### eTIME Pro: Web based Attendance Management Software

eTIME Pro is a Web based Attendance Management Software & meant for Corporates/IT enabled companies to harness the power offered by 3-Tier architecture. It can be loaded on an Internet Server on Web or on an Intranet Server. Any Computer or Thin Client having a Web Browser (no Client software required!!) can be used with proper User authentication. The software has a user friendly interface .

A PC would poll the data from the Attendance Terminals and push the raw data to the Server (as shown ) for online update of the database residing on the Server. The back end processing of the raw data happens automatically without any user intervention. The system is fully configurable & no customization is required for most users.

eTIME Pro takes care of all time Office related functions such as Master Maintenance, Processing of Attendance Data from Attendance Terminals, Manual Attendance, Leave, Tour/On-Duty input, Over Time Calculation & sanction, Shift Rotation, Late Rules etc. This provides host of Daily, Periodic & Yearly Reports related to Time Office. It also provides the data required for Payroll Calculation.

### PayLITE : Payroll Calculation & Generation Software

PayLITE is a Payroll Software Add-on to our TimePro range of Attendance Software. This uses the Master Data created in Time Pro & also the monthly processed Attendance Data for Payroll related calculations. The Payroll Parameters (e.g. PF,ESI,P Tax,TDS) are defined once, as applicable in the company with associated rules for calculation. Multiple Pay Roll groups may be created to take care of Permanent & Temporary employees. Related Payroll parameters are tagged to the Group.

This takes care of Salary calculation, Salary Advances, Incentives, Employee Appraisals & other related Adjustment. It generates the Salary Slip, creates the Bank Report & also generates the Statutory Challans for re-imburements. A must HR tool for easing out the routine eTDS return, Salary processing every month.

### Ordering Information

- » **O-zone** : Terminal with EM compatible RF(125KHz) Reader & RS 232C/ RS 485, Power Adaptor
- » **O-zone\_Smart** : Terminal with MIFARE Smart Card RF(13.56 MHz) Reader & RS 232C/ RS 485, Power Adaptor
- » **O-zone\_iClass** : Terminal with HID iClass RF(13.56 MHz) Reader & RS 232C/ RS 485, Power Adaptor
- » **O-zone\_HID** : Terminal with HID Prox Reader & RS 232C/RS485, Power Adaptor
- » **In-Circuit TCP/IP** : Built-in Ethernet Interface for O-Zone
- » **UPS with Battery** : UPS with Battery for 2 hour back-up time
- » **MicroPROX** : EM Proximity Card Reader with Wiegand Interface
- » **MicroSMART**: MIFARE Smart Card Reader for Exit with Wiegand
- » **R50** : HID iClass Card Reader for Exit with Wiegand Interface
- » **ProxPOINT** : HID Proximity Card Reader with Wiegand Interface
- » **COMCON** : RS 232C to RS 485 Converter
- » **COMCON Wifi**: RS232C to Wifi converter
- » **COMCON Blue Tooth** : RS232C to Blue Tooth converter
- » **COMPRO 2000** : Data downloading & Configuration Software
- » **ID Card**: (a) Proximity Card (b) Contact less Smart Card
- » **MIS Time PRO LITE**: Time Office MIS Report Generation Software suitable for Office (Single Shift Operation)
- » **eTIME Pro**: Web Based Attendance Management Software
- » **PayLITE**: Payroll Calculation & Generation Software
- » **Door Lock**: (a) Strike (b) EM Lock (c) Turnstile (d) Drop bolt
- » **Cable**: (a) Reader (b) Communication (c) Lock (d) ReX
- » **Accessories**: (8) Exit Switch (b) Door Sensor

\* Specifications are subject to change without notice.

\*\* COMCON Web Server, eTIME Pro, PayLITE are optional.